

ALTEMPO Work Light Series



■ **Functions :**

2 lights On - Top light On - bottom light On - Off

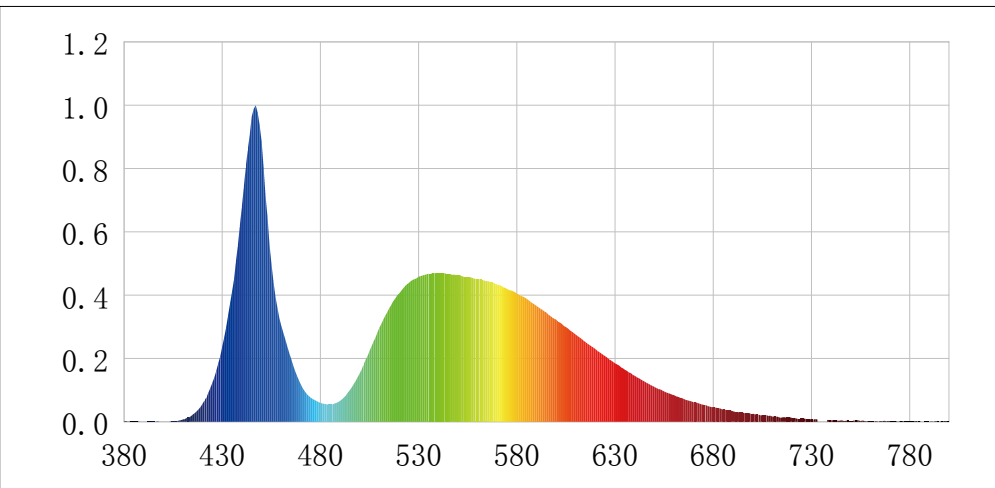
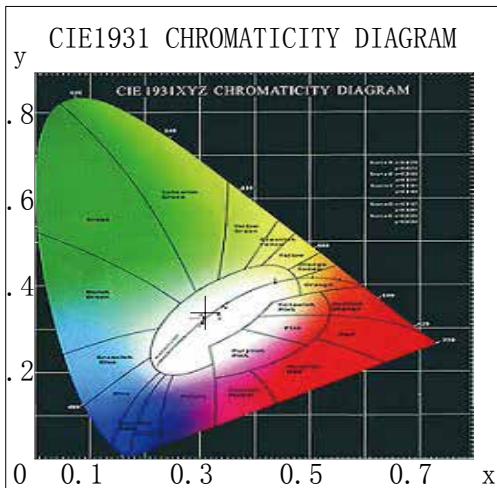
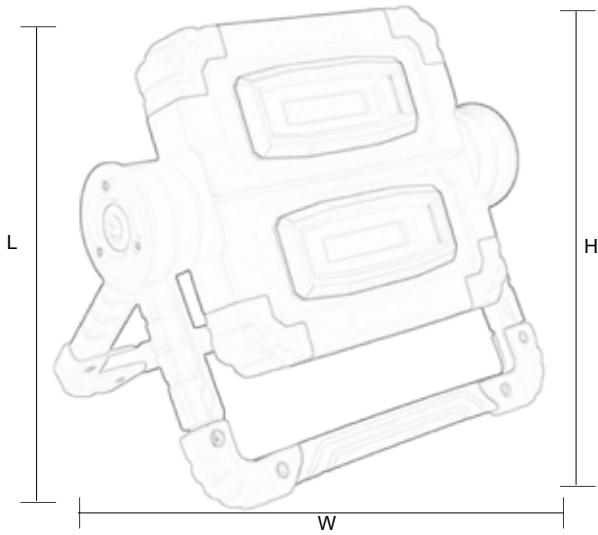


■ **Product Spec:**

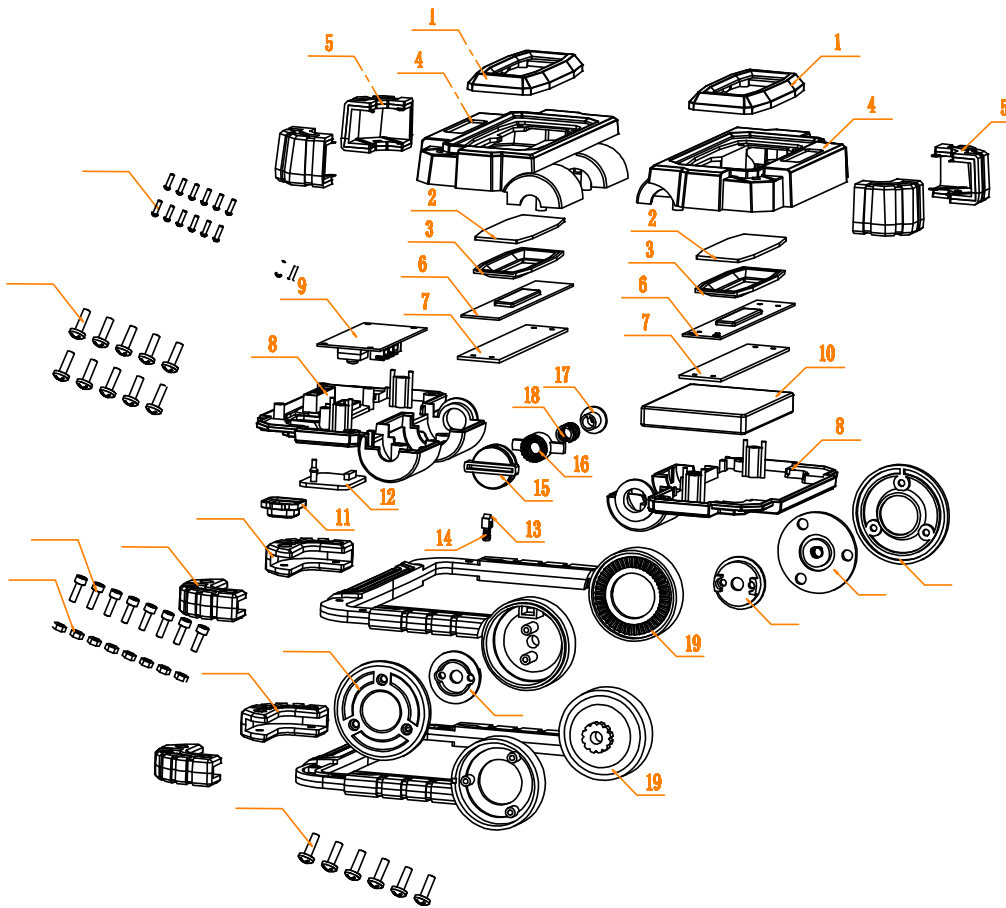
Product Code	N.W.	Dimension L*W*H [mm]	Power [W]	Battery	Efficiency [lm/W]	Color Temp[K]	CRI	Material	Working time	Charging time
AL-TEMPFL2x10WB2F	440g	135*200*60 mm	2*10W	4*AA(excluded)	700-1000lm	3000K-6000K	≥80	Nylon+TPR	5hrs	Non
AL-TEMPFL2*10WUSB2F	575g	135*200*60 mm	2*10W	5000mAH lithium	700-1000lm	3000K-6000K	≥80	Nylon+TPR	5-9hrs	5hrs



■ **Dimension(mm):**



Construction Map



Product	Texture of material
1 Decoration ring	ABS
2 Lens	PC
3 Reflecting rack	PC
4 Upper cover	nylon
5 Sheath	TPR
6 COB	aluminium
7 Heat sink	aluminium
8 Lower cover	nylon
9 Circuit board	FR4
10 Battery	polymer
11 Button leather cover	silica gel
12 Charging plug	silica gel
13 Positioning block	PC
14 Spring	iron
15 Gear assembly	ABS
16 Spring	iron
17 Handle	nylon

■ Package Details:

